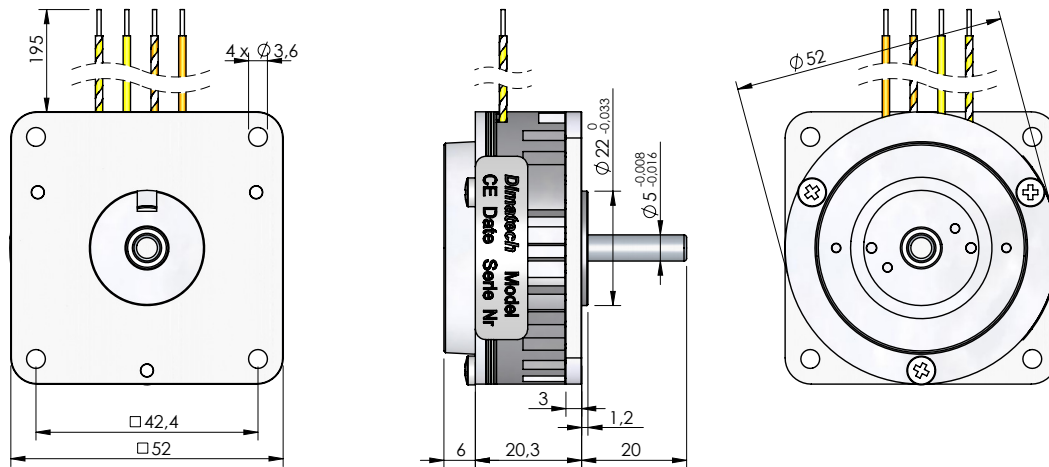
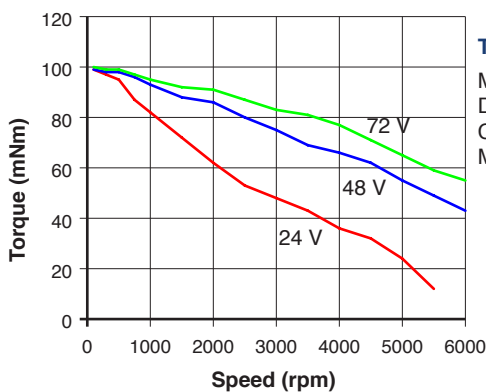


2-phase stepper motor, 100 steps per revolution, microstepping



			Winding	
			A	B
1	Phase resistance	ohm ± 14%	0.7	4.4
2	Phase inductance	mH ± 20%	1.3	8
3	Nominal current (1 phase ON)	A typical	3.3	1.3
4	Boosted current (1 phase ON)	A typical	5	1.9
5	Induced voltage at 600 rpm	V ± 10%	2.2	5.82
6	Torque constant	mNm/A ± 10%	35	92.6
7	Static torque	mNm ± 10%	116	
8	Boosted static torque	mNm typical	174	
9	Reluctant torque	mNm typical	7	
10	Friction torque	mNm max	4	
11	Thermal resistance (coil-air)	°C/W typical	10	
12	Thermal time constant	min typical	14	
13	Max temperature for coils	°C max	+100	
14	Recom. ambient temperature range	°C typical	-20 to +50	
15	Number of pole pairs	-	25	
16	Phase shift	degree ± 5	90	
17	Phase fluctuation	degree max	3	
18	Maximum speed	rpm max	5000	
19	Rotor inertia	kgm ² · e ⁻⁷ typical	8	
20	Weight	g typical	185	
21	Electrical time constant	ms typical	1.8	
22	Max angular acceleration (boosted)	rad/s ² typical	217000	
23	Insulation voltage	V typical	500	



Test conditions:
 Motor: DM52 coil A
 Driver: IDS640
 Current: 3.3 A
 Mode: micro-steps