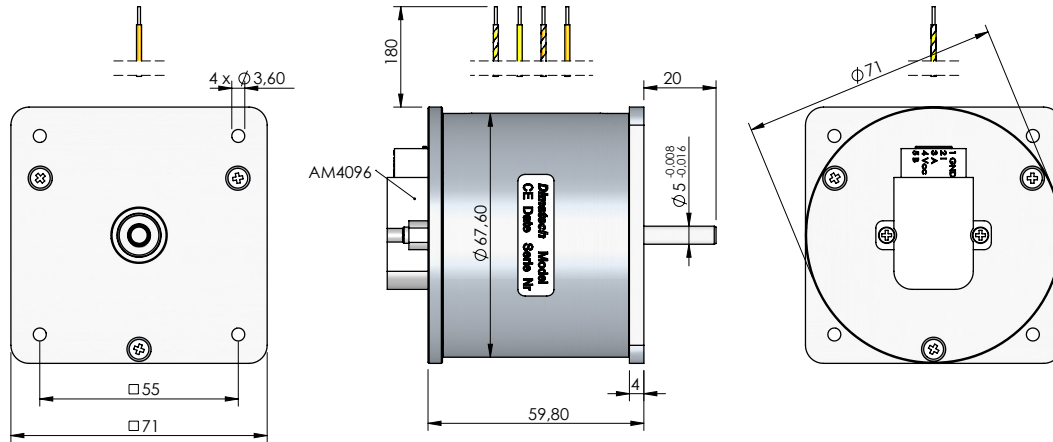
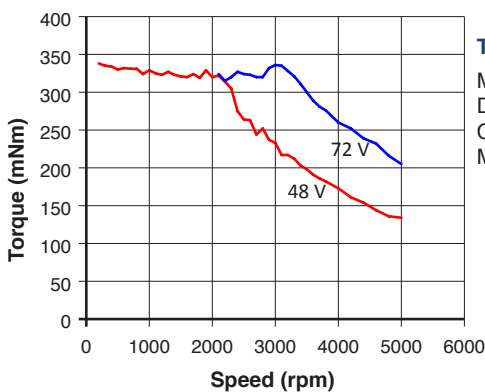


Servomotor, 2 phases



			Winding			
			A	B	C	
1	Phase resistance	ohm	$\pm 14\%$	0.26	0.4	1.33
2	Phase inductance	mH	$\pm 20\%$	1.5	2.3	7.2
3	Nominal current (1 phase ON)	A	typical	7.35	6	3.3
4	Boosted current (1 phase ON)	A	typical	18.75	15	2.6
5	Induced voltage at 1250 rpm	V	$\pm 10\%$	6.4	8	14.2
6	Torque constant	mNm/A	$\pm 10\%$	49	61	108.2
7	Static torque	mNm	$\pm 10\%$		360	
8	Boosted static torque	mNm	typical		750	
9	Reluctant torque	mNm	typical		10	
10	Friction torque	mNm	max		5	
11	Thermal resistance (coil-air)	$^{\circ}\text{C}/\text{W}$	typical		5.5	
12	Thermal time constant	min	typical		45	
13	Max temperature for coils	$^{\circ}\text{C}$	max		+100	
14	Recom. ambient temperature range	$^{\circ}\text{C}$	typical		-20 to +50	
15	Number of pole pairs	-	-		12	
16	Phase shift	degree	± 5		90	
17	Phase fluctuation	degree	max		5	
18	Maximum speed	rpm	max		5000	
19	Rotor inertia	$\text{kgm}^2 \cdot \text{e}^{-7}$	typical		21	
20	Weight	g	typical		940	
21	Electrical time constant	ms	typical		5.7	
22	Max angular acceleration (boosted)	rad/s^2	typical		360000	
23	Insulation voltage	V	typical		500	



Test conditions:
 Motor DM70 coil B
 Driver: IDS640
 Current: 6 A
 Mode: Open loop